



NEW GENERATION

# NON-ELECTRIC SEPTIC SYSTEMS



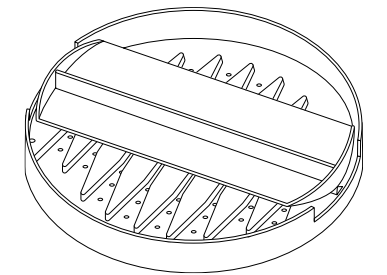
ALL-IN-ONE COMPACT SOLUTIONS FOR DOMESTIC WASTEWATER TREATMENT

Non-Electric Septic Systems

# MONOBLOCK

## THE ALL-IN-ONE COMPACT SOLUTION

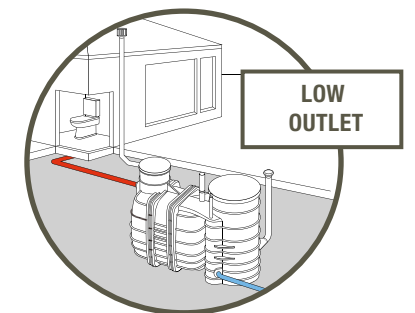
### TIPPING TRAY



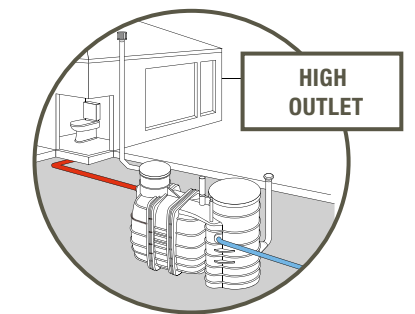
Mechanical distribution of the wastewater on the entire surface of the BIOROCK media.

### 2 DISCHARGE OPTIONS

#### 1 BIOROCK® Gravity Discharge



#### 2 BIOROCK® Pumped Discharge



Our high-level discharge is equipped with a reliable, high quality, pump kit. This kit is delivered pre-assembled for ease and speed of installation. Intermittent operation by float switch.



### HOW IT WORKS

#### PRIMARY TANK

Clarifies the wastewater coming from the residence by retaining oils, fats, greases and organic solids. The water passes through an effluent filter before discharging into the BIOROCK reactor.

#### BIOREACTOR

The BIOROCK Media in the Bioreactor treats the wastewater naturally with an aerobic digestion process (Secondary Treatment) and a filtration process (Tertiary Treatment).

- ✓ No electricity required
- ✓ Ultra-compact and discrete
- ✓ Faster and easier to install
- ✓ Ideal for tight spaces and small sites
- ✓ Integrated Pump Chamber for High discharge  
(All MONOROCK & ECOROCK-700/800/900 Models)

#### BIOROCK® MEDIA

The wastewater percolates through the filtering media. The BIOROCK Media is a very effective carrier material for bacteria. The BIOROCK media is highly resistant to degradation and remains extremely stable over a long term.

The BIOROCK Media is 100% recyclable

PRIMARY TANK

BIOREACTOR



# MONOBLOCK

## PLUG-AND-PLAY SOLUTION

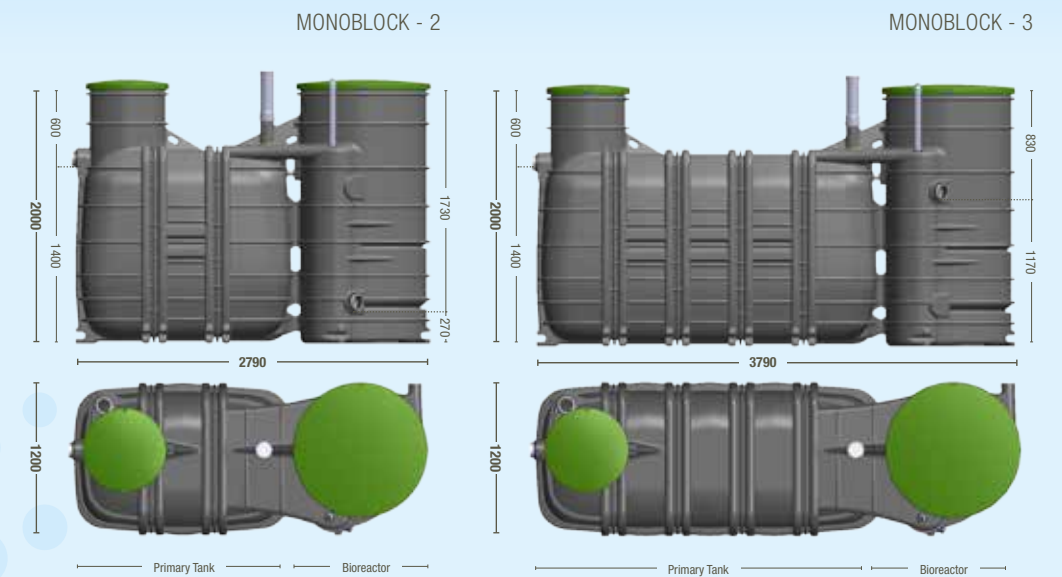
The MONOBLOCK units are designed for rural dwellings, permanent and seasonal, which are not connected to the mains. The extremely compact purification units are completely pre-assembled and ready for speedy installation. The MONOBLOCK units are available with a 2000 or a 3000 Liters Primary Tank and available in a Gravity Outlet (Low Outlet) or a Pumped Outlet (High Outlet).



MONOBLOCK - 2	700		800		900	
	LOW	HIGH	LOW	HIGH	LOW	HIGH
Water outlet						
Capacity	4 PE	4 PE	5 PE	5 PE	6 PE	6 PE
Hydraulic loading	600 L/d	600 L/d	750 L/d	750 L/d	900 L/d	900 L/d
Volume primary tank	2000 L	2000 L	2000 L	2000 L	2000 L	2000 L
Δ Water inlet & outlet	1130 mm	230 mm	1130 mm	230 mm	1130 mm	230 mm
Weight finished product	369 kg	373 kg	375 kg	379 kg	380 kg	384 kg

MONOBLOCK - 3	900		1000	
	LOW	HIGH	LOW	HIGH
Water outlet				
Capacity	6 PE	6 PE	8 PE	8 PE
Hydraulic loading	900 L/d	900 L/d	1200 L/d	1200 L/d
Volume primary tank	3000 L	3000 L	3000 L	3000 L
Δ Water inlet & outlet	1130 mm	230 mm	1130 mm	230 mm
Weight finished product	474 kg	478 kg	479 kg	483 kg

\* PE = Person Equivalent.



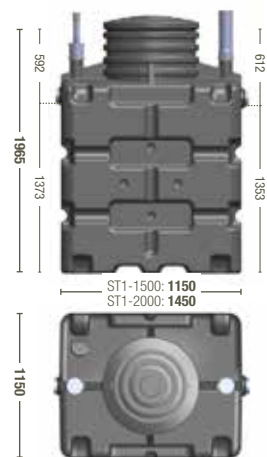
The capacities of the BIOROCK are in accordance with the test results of the EN12566-3 Performance Test.

Weights and dimensions indicated are approximate and not binding. For transport, handling and lifting purpose consult our technical instructions. THE BIOROCK Systems must be commissioned, used and operated as per our Installation guides.

All the BIOROCK Units are made of High Density Polyethylene (HDPE).

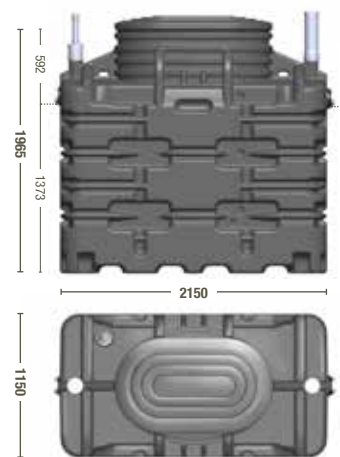
## PRIMARY TANKS

BIOROCK - ST1-1500 / - ST1-2000



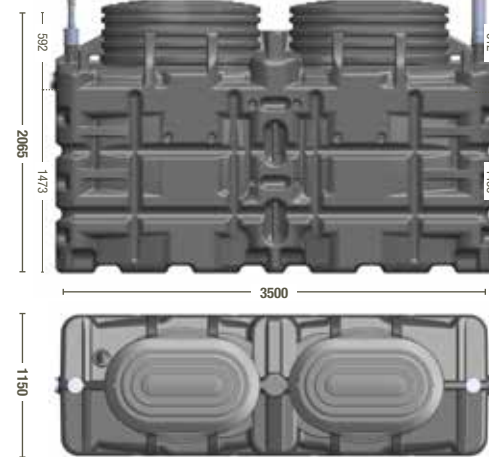
	1500	2000
Volume	1500 L	2000 L
Weight finished product	118 kg	142 kg
Δ Water inlet & outlet	20 mm	20 mm

BIOROCK - ST2- 3000



Volume	3000 L
Weight finished product	200 kg
Δ Water inlet & outlet	20 mm

BIOROCK - ST1- 5000

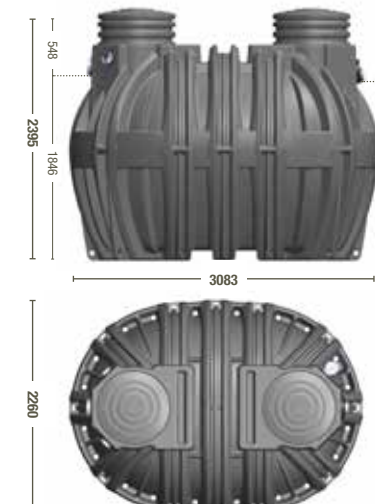


Volume	5000 L
Weight finished product	408 kg
Δ Water inlet & outlet	20 mm

The BIOROCK Primary Tanks are available in volumes ranging from 1500 to 10000 Liters. The 7500 & 10000 Liters tanks can be installed in series for 15000, 17500 & 20000 L.

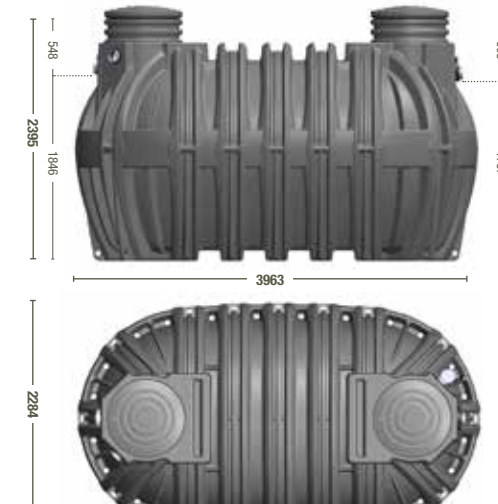
All Primary Tanks are equipped as standard with an Effluent Filter. All water inlets are airtight and have a rodding point.

BIOROCK - ST1-7500



Volume	7500 L
Weight finished product	384 kg
Δ Water inlet & outlet	60 mm

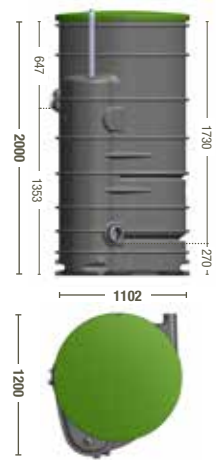
BIOROCK - ST1-10000



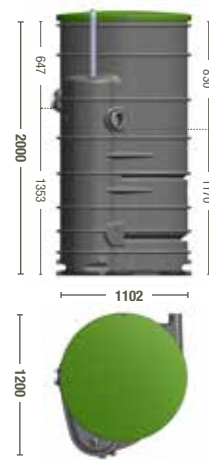
Volume	10000 L
Weight finished product	515 kg
Δ Water inlet & outlet	60 mm

# ECOROCK REACTORS

## ECOROCK - 700 / 800 / 900 LOW OUTLET

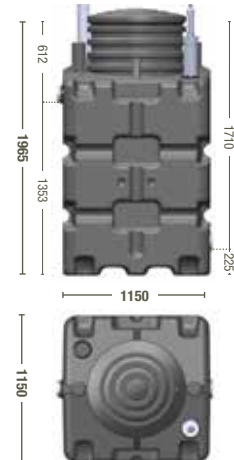


## ECOROCK - 700 / 800 / 900 HIGH OUTLET



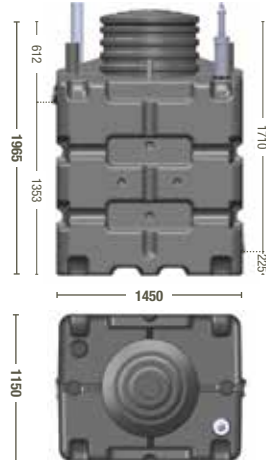
	700	800	900
Capacity	4 PE	5 PE	6 PE
Hydraulic Loading	600 L/d	750 L/d	900 L/d
Weight finished product (LO*)	178 kg	183 kg	189 kg
Δ Water inlet & outlet - LO*	1083 mm	1083 mm	1083 mm
Δ Water inlet & outlet - HO**	183 mm	183 mm	183 mm

## ECOROCK - 1500



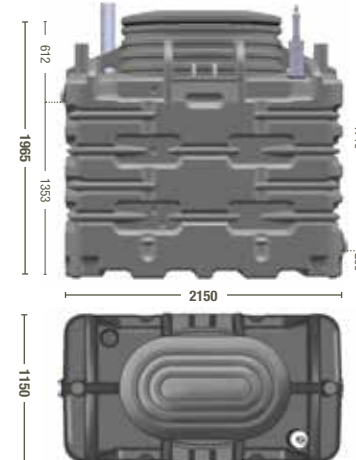
Capacity	8 PE
Hydraulic loading	1200 L
Weight finished product	197 kg
Δ Water inlet & outlet	1081 mm

## ECOROCK - 2000



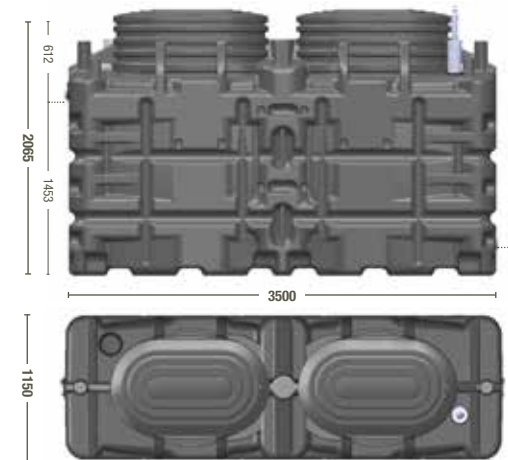
Capacity	10 PE
Hydraulic loading	1500 L
Weight finished product	241 kg
Δ Water inlet & outlet	1081 mm

## ECOROCK - 3000



Capacity	15 PE
Hydraulic loading	2250 L
Weight finished product	304 kg
Δ Water inlet & outlet	1098 mm

## ECOROCK - 5000



Capacity	30 PE
Hydraulic loading	4500 L
Weight finished product	682 kg
Δ Water inlet & outlet	1193 mm

\* Low Outlet \*\* High Outlet

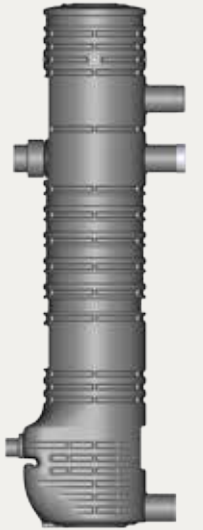
## OPTIONS



**Wind driven ventilator**  
Ventilation kits are available for all units as an option.



**Effluent filter**  
for primary tank



**Pumping-Chamber**  
Ø 400 mm



**Extension sets**  
Available for all systems



**Sampling Pipe**  
Ø 160 mm



**Clips for above ground installations**

# MULTIROCK

## MULTIPLE SYSTEMS FOR LARGER CAPACITIES

The **MULTIROCK** systems are **Non-Electric solutions for commercial systems, such as small municipalities, remote communities, schools, office buildings, shopping centers, golf courses and camping sites.**

Clustering means that several ECOROCK units are installed in parallel. The ECOROCK units are fed by an alternating flow from a "Flow Control Chamber" (FCC) and a Splitter-Box (SB) which are installed after a (common) Primary Tank. The FCC acts as a 'header tank' to provide a surge of flow through the flow divider (SB) and guarantees evenly divided flow to each of the treatment units.

## OPTIONS FOR MULTIROCK



Flow Control Chamber



Splitter-Box



Pumping-Chamber  
Ø 400 mm



Since 1988, BIOROCK has become an internationally acclaimed and experienced leader in the field of onsite and decentralized Non-Electric Wastewater Treatment Technologies for residential and commercial sectors.

The revolutionary and fool-proof BIOROCK units use a biological process and are gravity fed, requiring no electricity or moving parts in the treatment process. The systems are suitable for most soil and site conditions.

### STABLE PERFORMANCES UNDER ALL CONDITIONS

The system can cope with variable loading conditions, including peak and zero-flow (holiday) periods.

BIOROCK is active in all Continents

### UNIQUE ADVANTAGES

- ✓ Completely silent
- ✓ Lowest operational costs
- ✓ Superb effluent quality
- ✓ Septic tank conversion unit\*

### SUSTAINABILITY HIGHLIGHTS

- ✓ Long lifespan BIOROCK Media
- ✓ Low carbon footprint
- ✓ Minimum annual maintenance
- ✓ Long Septic Tank pump out

### THE LONGEST WARRANTIES IN THE INDUSTRY



BIOROCK WARRANTY:  
25 YEARS ON TANKS\*  
10 YEARS ON MEDIA\*

\* Subject to conditions, contact us for details

## Up to 99% removal of pollutants

### Excellent purification results

All BIOROCK units are tested to International Standards BS EN12566-1, BS EN12566-3 and BS EN12566-6.

<b>BOD<sub>5</sub></b>	up to <b>99%</b>
<b>COD</b>	up to <b>96%</b>
<b>S.S.</b>	up to <b>99%</b>

Detailed results available upon request

## BIOROCK® versus Traditional

BIOROCK provides a revolutionary and efficient system when compared with all other Wastewater treatment brands available today.

### FACTS

	BIOROCK®	Traditional units
Non-electric*	Yes	No
Silent & odourless	Yes	No
Handles intermittent loading	Yes	No
Handles absence periods	Yes	No
Septic tank conversion unit*	Yes	No
Low maintenance	Yes	No
Low operational costs	Yes	No

\* Subject to site conditions

All BIOROCK® systems are delivered complete and pre-assembled for ease of installation.



Fitzwillian Court, Dyer St.  
Drogheda, Louth  
Ireland  
Phone: +353 (0) 4198 06932  
info@biorock.co.uk | [www.biorock.ie](http://www.biorock.ie)

Unit A2, Lympne Dist Park  
Hythe, Kent CT21 4LR  
England  
Phone: +44 (0) 161 246 6065  
info@biorock.co.uk | [www.biorock.co.uk](http://www.biorock.co.uk)

5300 Lakeside, Cheadle Royal Business  
Park, Cheshire SK8 3GP  
England  
Phone: +44 (0) 161 246 6065  
info@biorock.co.uk | [www.biorock.co.uk](http://www.biorock.co.uk)