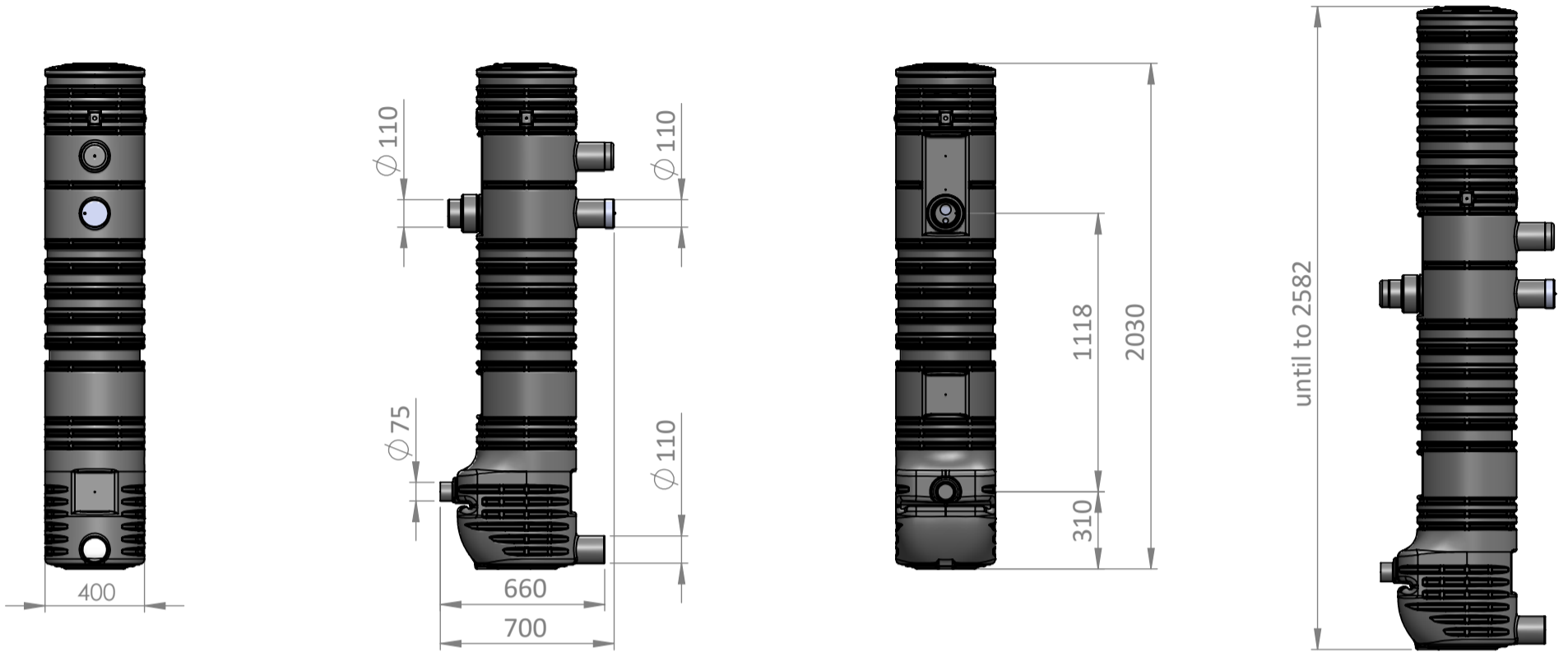
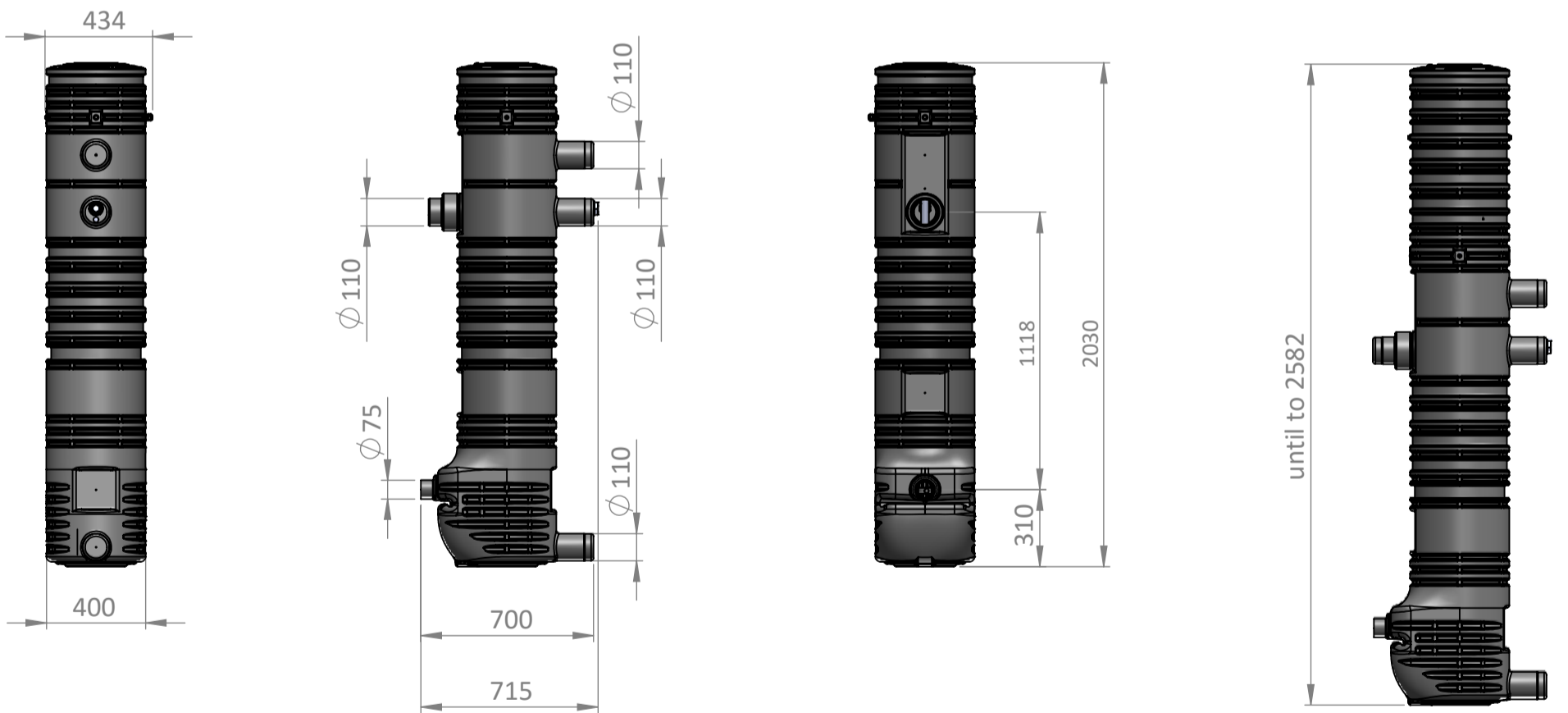


SAMPLING PIPE



PUMPING WELL



Service :			
ORIGINATOR			
AUTHOR	NAME	SIGNATURE	DATE
	AQ		26/05/2016
APPROV.			
MODIFICATION			
	NAME	SIGNATURE	DATE
AUTHOR			
APPROV.			
TITLE:			
OUTLET FOR 1500/2000/3000L TANK			
Nb. of PLAN			
CS-X400			A3